

STL154-P LED Street Lamp Instruction



Features

This LED street light consists of several lamps which are fully filled with resin. This makes the light 100% waterproof. The special design leads very good cooling and less wind drag.

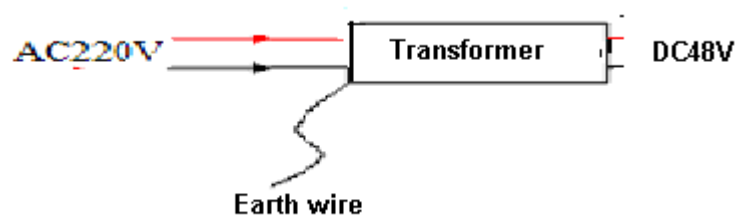
Warning

1. Disassembling the light by any unqualified persons will cause malfunction of the light.
2. Leave the light far away from the heat source.
3. The light should not be used in a airtight place. Don't cover the light with anything when it is working.
4. Make sure to fix the light firmly.
5. Pay attention to handle the wiring properly.

Parameters:

Model No.	STL154-P
Input voltage	AC 100V - 240V, 47Hz - 63Hz
Working temperature	-30°C - 40°C
Working humidity	10% - 99% RH
Color temperature	Natural white: 6000K, Warm white: 3000K
Color rendering index	Ra>75
Power factor	>0.9
Power efficiency	92%
Working voltage	DC 48V
System consumption	160W
Luminous efficiency	≥90 lm/W
Working lifetime	>50,000Hrs
Dimension	530mm(L) * 246mm(W) * 167mm(H)
Body material	Aluminum alloy
Net weight	4.8 KG
Waterproof level	IP66

Wire connection

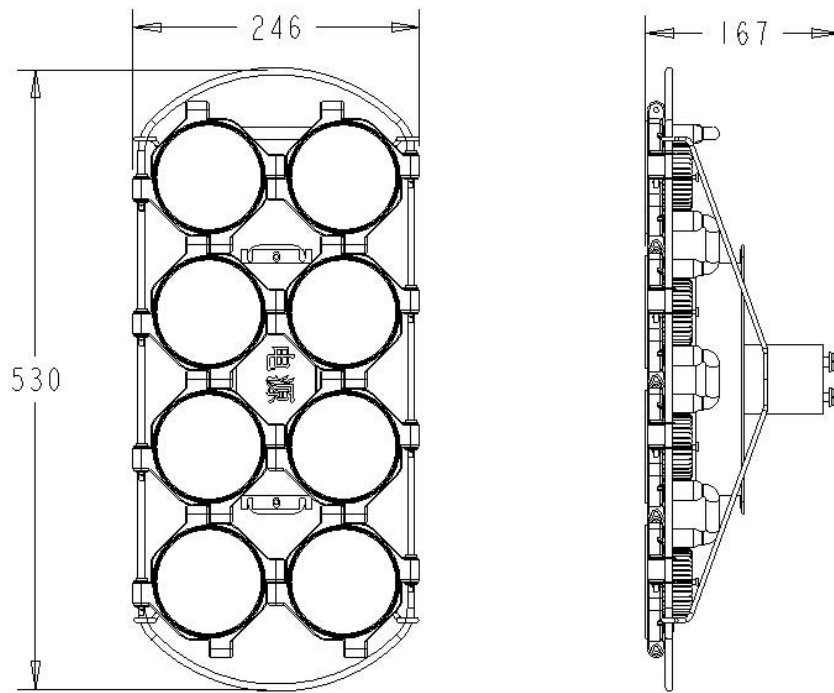


Note: Brown wire – live wire

Blue wire – neutral wire

Yellow green wire – earth wire

Dimension



Unite: mm