

Instruction Manual for LED PAR56-T

Models: PAR56-T



Manufacturer: Hentech Technology Development Co., LTD
Add: No. 58 Tianren Industrial Estate, Liandu Village, Leliu Town, Shunde District,
 Foshan City, Guangdong, China 528322
Telephone: +86-757-22609165/22609168/22609169
Fax: +86-757-22609170
Website: <http://www.hentech.cn/en>

IMPORTANT: This manual includes essential information on the safety measures to be implemented for installation and start-up. Therefore, the installer, as well as the user, must read these instructions before beginning installation and start-up.

Technical Specification

Standard input voltage: 12V AC/DC (Range: 12~18VAC or DC)

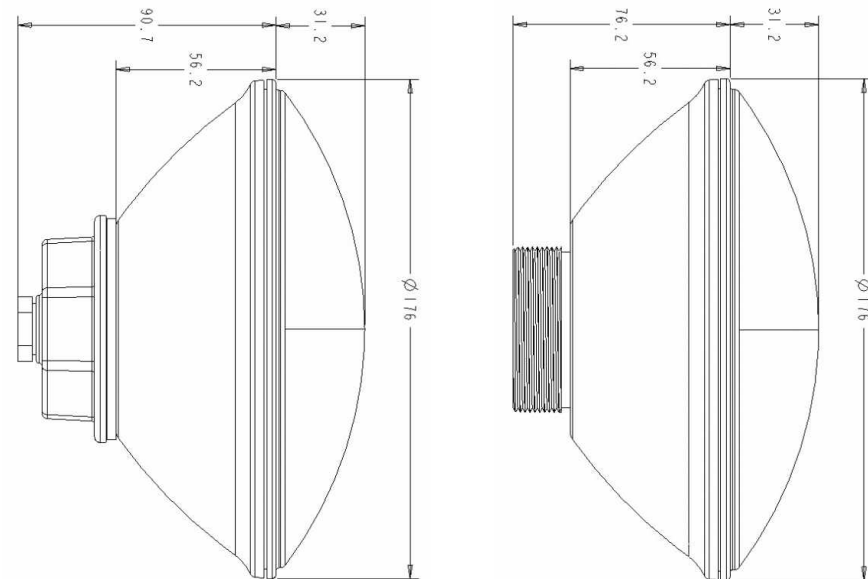
Standard input watt:

RGB			White		
18W	23W	30W	21W	26W	33W

Use life: 60,000 hours

16 programs with Synchronization capability

Dimensions:



Instruction & Use

This is a high technology electronic controlled light based on LED's in three colors: red, green and blue. These three base colors together can produce many other colors to create the perfect atmosphere in the pool. Any of the 16 pre-programmed effects can be selected with the on/off switch of your pool lights. The LED's can also be warm white only or natural white only. The LED's are driven by constant current. The technology of True PWM is adopted on the lights. High temperature protection makes the LED's be protected while the internal temperature reaches a high level. All these technologies guarantee long working life of the LED lamps.

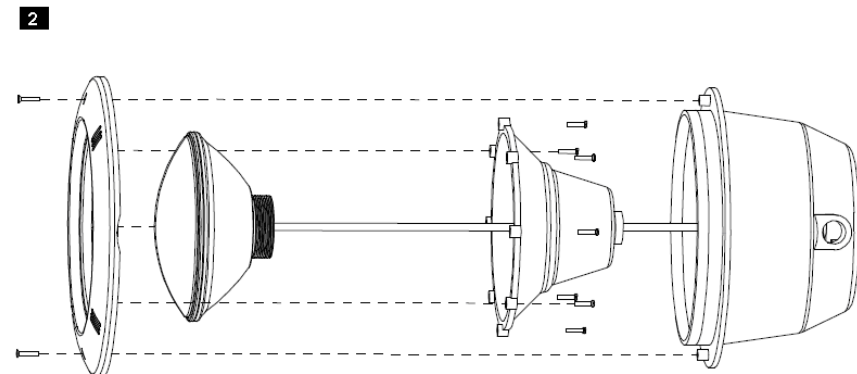
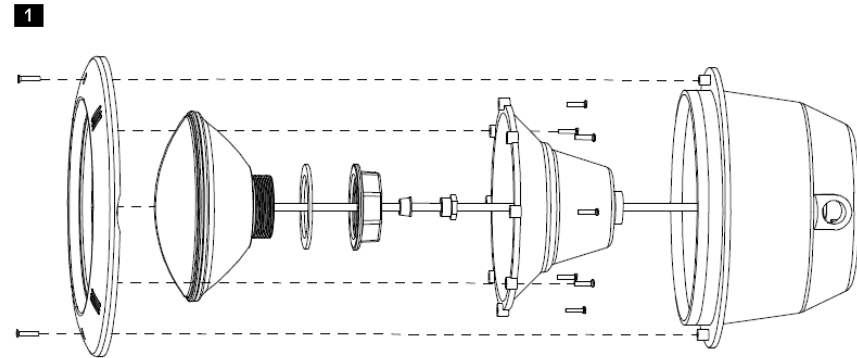
16 Programs of RGB LED Bulbs

1. White: sun white
2. Red: one color red
3. Green: one color green
4. Blue: one color blue
5. Green-blue: fixed color green/blue
6. Red-green: fixed color red/green
7. Blue-red: fixed color blue-red
8. Evening sea: slow animation red/blue
9. Evening rivers: slow animation red/green
10. Riviera: slow animation green/blue
11. White: neutral white
12. Rainbow: slow animation blue/red/green
13. River of colors: program 12, followed by program 15
14. Disco: fast animation
15. Four seasons: slow animation in red/blue/green/violet
16. Party: fast animation

Installation

Easily replace the existing PAR56 lamp. It can be fitting to the house niche of your swimming pool light. The PAR56-T is designed to have perfect sealing for the cable connection. To achieve highly waterproof feature on cable connection, it is strongly recommended to use the way in

picture 1 that the cable goes through the nut and the connection is sealed by the nut. In case that the cable of the existing lamp is unable to go through the nut, you can use the way in picture 2.



Maintenance & Replacement

There is no maintenance required for this lamp – it is designed to be used only once, meaning that replacement is necessary if it becomes defective (repairing is impossible). Before any handling, ensure that there is NO voltage supplied to the lamp. To replace, unfasten the lamp from the base. Ensure the new lamp is of the same model and characteristics as the one being replaced.

Start-up

- In case of colored lamps, 16 pre-programmed effects and combinations may be selected using the on/off switch of your pool lights. Just switch off and switch on within 2 seconds.
- If the light is powered off for more than 20 seconds, it will keep the latest program when it is turned on again.
- To achieve synchronization, confirm all lamps are installed correctly on the same switch, after they are powered off for more than 20 seconds, switch on and switch off continuously three times, and then finally turn them on again. They will all go to program 5. Now you can select a program for them by switch off and on within 8 seconds.
- Alternatively, we recommend using our optional controller (with in-built safety transformer) which comes with (a) remote control for easy operation and (b) auxiliary connection of 24V for operation of any other electrical item.

Safety Warnings

The persons who are in charge of installation should have the required qualifications for this type of work.

- Avoid making contact with the electric voltage.
- Comply with the current standards regarding accident prevention.
- IEC 364-7-702 standards must be observed: WIRING IN BUILDINGS, SPECIAL WIRING, SWIMMING POOLS.
- Replacement must be performed with the lamp disconnected from the electric power system.
- Do not handle any electrical components with wet feet.

Warranty

The manufacturer warrants this LED underwater light bulb against defects in materials and workmanship for a period of one year from the date of purchase. This warranty does not cover the fixture becoming damaged due to misuse, accidental damaged, improper handling and/or installation and specifically excludes liability for direct, incidental or consequential damages, water coming into the housing.